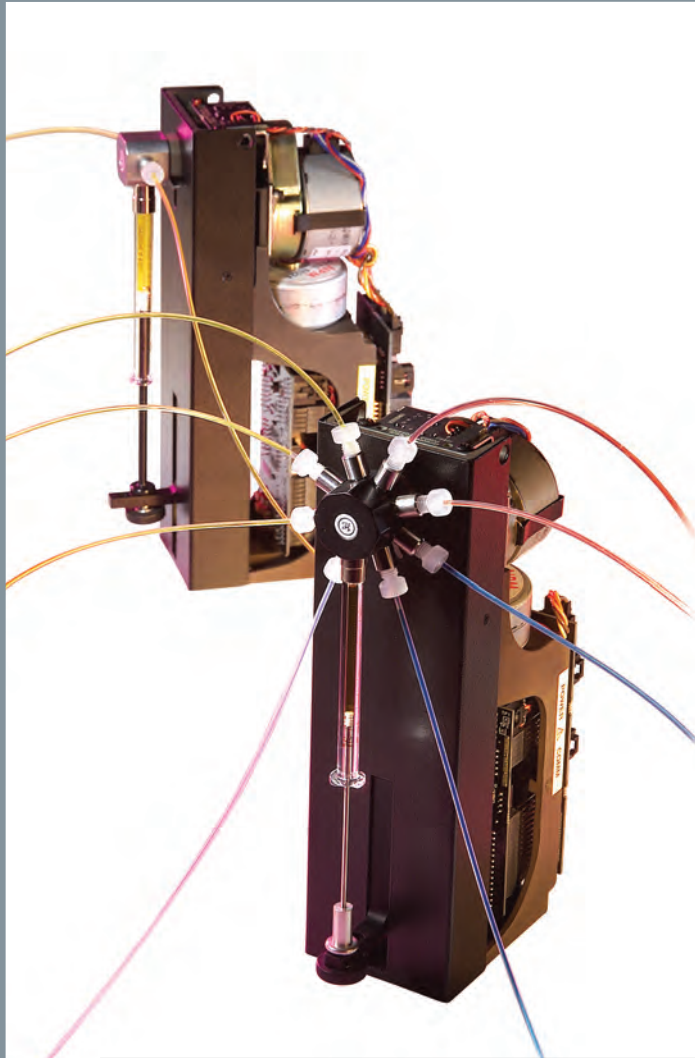


PSD/2 SYRNGE DRIVE MODULE



The PSD/2 module is a highly integrated, self-contained syringe drive module that can be used as a single unit or can be daisy chained in a system that uses up to 16 units. The rigid one piece cast aluminum chassis provides a rugged platform for system components that results in greater accuracy and precision. To assure the outstanding accuracy and precision, each PSD/2 is provided with a National Institute of Standards and Technology (N. I. S. T.) traceable performance test report performed on that module.

The PSD/2 can be fitted with a variety of valve and syringe combinations. With a choice of materials like PTFE, CTFE, FEP, UHMWPE, ceramic, and borosilicate glass, a reliable turnkey system can be assembled to meet the requirements of the most demanding applications.

RS232 communication through simple ASCII commands, 8 location EEPROM method storage, and 6 digital I/O ports provide versatile control of the PSD/2, allowing it to be used in a variety of system configurations.

PSD/2 Drive Module
Part#: 0162573 (Standard Configuration)

Power Requirements:	Voltage:	24 VDC	
	Current:	1 amp maximum	
Syringes:	Syringe Type:	Hamilton GASTIGHT® Instrument Syringe	
	Sizes:	25 µL, 50 µL, 100 µL, 250 µL, 500 µL, 1 mL, 2.5 mL, 5 mL, 10 mL, 25 mL	
	Fluid Contact:	Glass, PTFE, CTFE or UHMWPE	
Syringe Drive:	Drive Type:	DC Stepper Motor: self lubricating and wear compensating lead nut/screw	
	Travel/speed:	2 to 60 seconds/stroke	
	Resolution:	Half	1,000 counts
		Full	2,000 counts
	Inaccuracy:	±1.0% @ >30% stroke	
Imprecision:	+0.2% @ >30% stroke		
Valve Drive:	Valves:	Ceramic or rotating plug	
	Drive Type:	Stepper motor with encoder	
	Speed:	500 ms @ 90°	
	Fluid Contact:	PTFE & CTFE or ceramic	
Environment:	Fittings:	1/4" -28	
	Operating Temperature:	15 °C to 35 °C	
	Operating Humidity:	20% to 90%, non-condensing	
	Storage Temperature:	-20 °C to 70 °C	
	Storage Humidity:	20% to 95%, non-condensing	
Communication:	Protocol:	Hamilton Reno Protocol 1 or Hamilton Bonaduz DIN Protocol	
	Interface:	RS-232, digital	
	Baud Rate:	1200, 2400, 4800, and 9600	
	Daisy Chain:	16 modules	
Software Features:	Memory Storage:	8 methods via download; 2 Kbytes	
	TTL I/O:	6 input - 6 output	



Ceramic Valves For PSD/2 Modular Digital Syringe Pumps



Part#	Flow Diagram	Description	Housing Material
5208-01		HVC 3-2	Aluminum
6763-01		HVC 3-2	Stainless Steel
5208-02		HVC 3-5	Aluminum
6764-01		HVC 3-5	Stainless Steel
6500-02		HVCX 4-5	Aluminum
6765-01		HVCX 4-5	Stainless
6500-01		HVCX 8-5	Aluminum
6766-01		HVCX 8-5	Stainless Steel
39298		HV 3-2, .059 Port	Aluminum, Plastic Plug
39221		HV 3-2, .070 Port	Aluminum, Plastic Plug

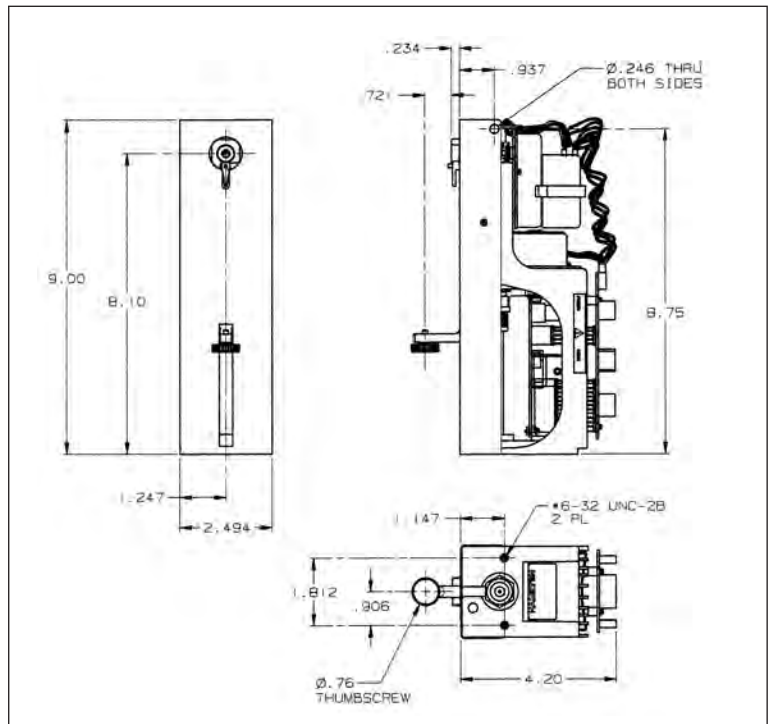
60 mm Long-Life Syringes

Part #	Model	Volume
8300-15	1705TLL	50 µL
8300-20	1710TLL	100 µL
8300-25	1725TLL	250 µL
8300-30	1750TLL	500 µL
8300-35	1001TLL	1 mL
8300-40	1002TLL	2.5 mL
8300-45	1005TLL	5 mL
8300-50	1010TLL	10 mL

Standard PTFE Tip Syringes

Part #	Model	Volume
80222	1702	25 µL
80922	1705	50 µL
81022	1710	100 µL
81122	1725	250 µL
81222	1750	500 µL
81320	1001	1 mL
81323	1001	1 mL
81420	1002	2.5 mL
81520	1005	5 mL
81620	1010	10 mL
82521*	1025	25 mL

*For use with HVCX valve only



Hamilton Company
 4970 Energy Way
 Reno, Nevada 89502 USA
 Toll-Free: 800-648-5950
 Telephone: +1-775-858-3000
 Fax: +1-775-856-7259
 e-mail: sales@hamiltoncompany.com

Hamilton Bonaduz AG
 Via Crusch 8
 CH-7402
 Bonaduz/Switzerland
 Telephone: +41-(0)81-660-60-60
 Fax: +41-(0)81-660-60-70
 e-mail: marketing@hamilton.ch

<http://www.hamiltoncompany.com>

Lit. No. L60017 © Hamilton Company 3/04 5K Printed in U.S.A.